

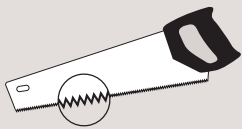
Oak Slatted Wall Panelling Kit

FITTING INSTRUCTIONS

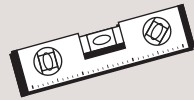
W.HOWARD
MDF SPECIALISTS

WALL
PANELLING
by W.Howard

TOOLS REQUIRED



Fine tooth saw



Spirit Level



Hammer



Adhesive/Mitre Glue



Nails

Power tools can also be used. **PLEASE USE EYE AND HEARING PROTECTION.**



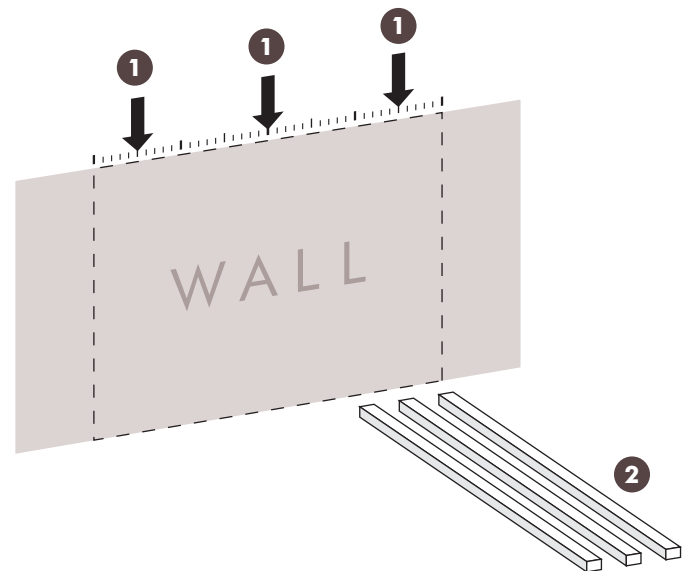
The slats can be fitted from floor level or abutted to existing skirting.

MEASURE & CUT

Measure the height and width of the space you plan on installing the wood slat in, this will determine how many slats you need. You will need to factor in the space you want to leave in between each slat, we recommend a 20mm gap.

Not all walls and ceilings are level so measure the height of the wall roughly every 10-20 slats to ensure the slats will fit. **1** If needed cut the slats to the correct length using a fine tooth saw. Don't forget to wear safety goggles and a face mask when cutting wood.

TIP – Place the slats on the floor to work out the spacing you'd like between them. **2**



FINISH

Our Real Wood, Oak veneer slats look perfect against any colour but we recommend painting the wall behind them a contrasting colour to make the most impact in your room.

The Real Oak veneer is supplied unfinished and looks great as it is but you could enhance the Oak's natural features with a natural oil or lacquer or a coloured stain, we leave the creativity up to you.

Continued overleaf

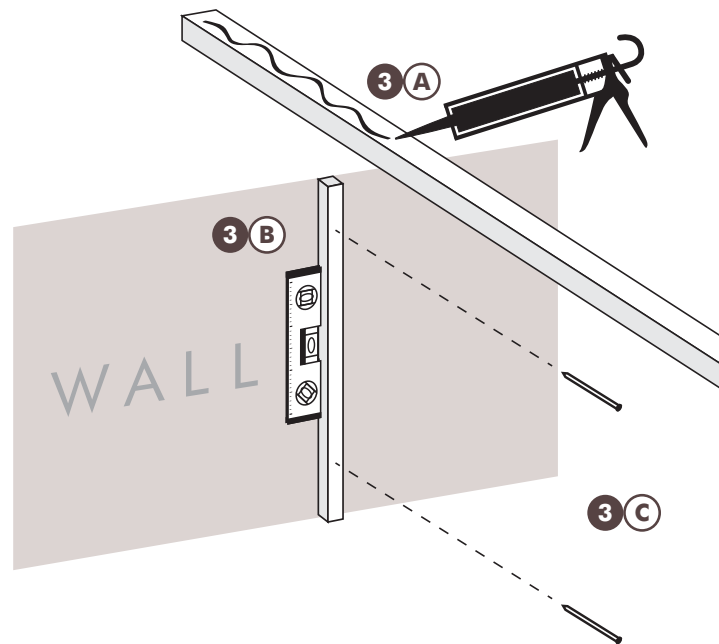
ATTACHING THE FIRST SLAT

Once your wall and slats are prepped, it's time to start adding them to the wall. Our slats allow you to either apply them with adhesive, a hammer and pins or for extra security you could use both. Choose one of the following methods:

3 A **If using adhesive** – Apply the adhesive along the length of the back of the first slat. Use a spirit level to ensure it is level, then press the slat into place firmly and leave for the adhesive to set.

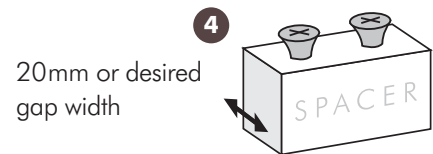
3 B **If using a hammer and pins** – Check the wall for cables and pipes, position the first slat making sure to use a spirit level to check it is level then secure in place using a hammer and pins or alternatively a nail gun.

3 C **If using both** – Apply the adhesive along the length of the back of the first slat then secure in place, using a spirit level to ensure it is level. Once applied to the wall, use a hammer and pins to secure the slat into place.



CREATE A SPACER

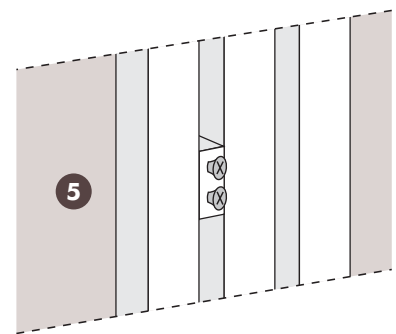
We recommend leaving a 20mm gap between the slats. Cut a spare slat or offcut to your desired width and attach two screws to the front of it **4** (these will give you something to hold as you use it to guide the position of the next slat but will also allow you to remove it from the gap easily).



ATTACHING THE NEXT SLAT

Set the spacer of your desired width against the first slat you attached to the wall and repeat step 4, making sure the slats are evenly spaced, level and secure before removing the spacer. **5**

Continue this process until you have covered the desired area. Keep the slats and spacer as close together as possible, to ensure you have a consistent gap between each. We recommend using a spirit level every couple of slats to ensure the slats are remaining straight, level and equally spaced.



FITTING ROUND WALL FURNITURE

If you encounter issues such as plug sockets or light fittings, you can cut the slats into pieces and align them or if required cut a small piece out of the slat to fit around it, which can be easily done with a jigsaw.

NB. Cutting pieces out of the slats will mean the edge will show the MDF core so we recommend aligning them.

Your stunning Oak slat wall is now complete.

Don't forget to share your finished masterpiece with us @WHowardLimited on Instagram.

W.HOWARD
MDF SPECIALISTS

WALL PANELLING
by W.Howard